

Oval A – Wall Mounted Wash Hand Basin

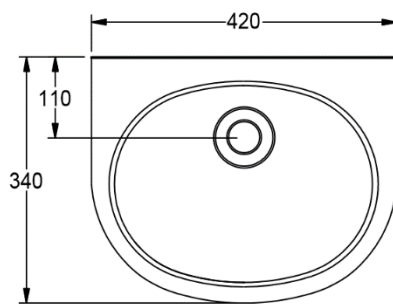


Model Oval a Wash Hand Basins, 420x340x185mm deep. Unit to be manufactured from Grade 304 (18/10) Stainless Steel, 1,2mm gauge. Unit to include a one piece pressed bowl, 360x280x130mm deep with a 40mm waste outlet, with a 50mm splash back and 100mm radiused apron. Basin to be fixed to the wall with 4 x 6mm anchor bolts (bolts elsewhere measured).

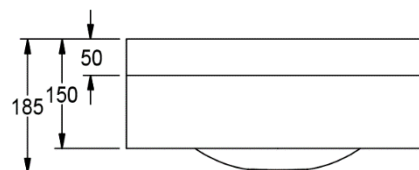
- Grade 304 (18/10) polished Stainless Steel, 1,2mm gauge
- Compact design suitable for wall mounting
- Basin with pressed bowl
- No brackets required, basin supplied with mounting plates
- Hygienic and vandal resistant

Oval A Wall Mounted Wash Hand Basin 420x340x185 357456

* WASTE FITTING NOT INCLUDED AND IS SUPPLIED WITH A BUBBLER TAP



TOP VIEW



FRONT VIEW